

Medium Balance Triangle

Rfcb104

TOROSPLAY



Serial number	Rfcb104
Product line	Climb & Balance
Dimensions	≈ 264 * 250 cm
Height	≈ 180 cm
FFH	150 cm
In accordance with norm EN	EN1176:17
Age group	3 +
Key user group	3 – 8 years
Inclusive	No
Number of users	12

Warranty

10

10-year guarantee - Coverage includes structural failure of the robinia components and structures.

5

5-year guarantee - Structural strength of steel and stainless steel components

2

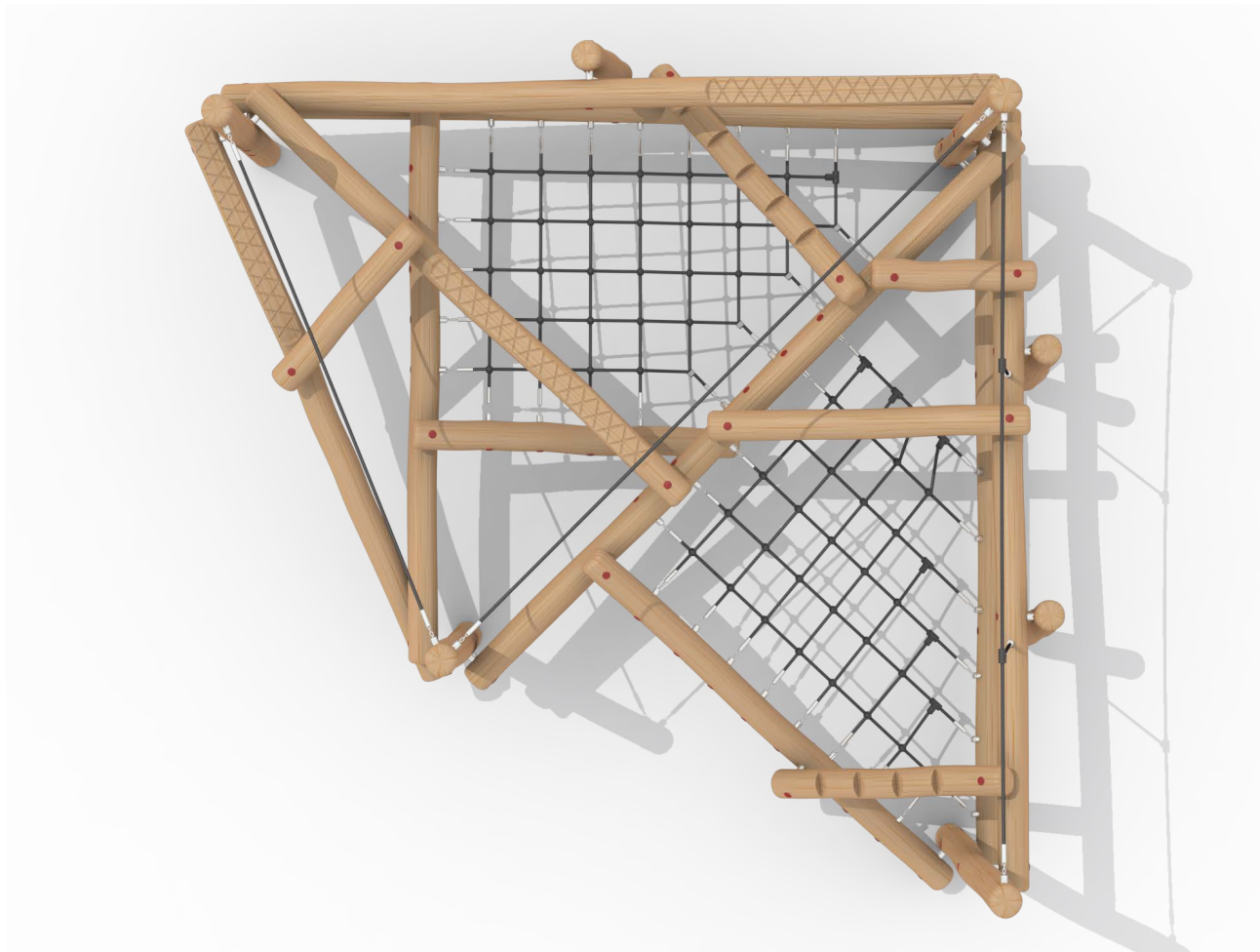
2-year guarantee - Structural failure of high density polyethylene and plastic components

Check the warranty card for more information

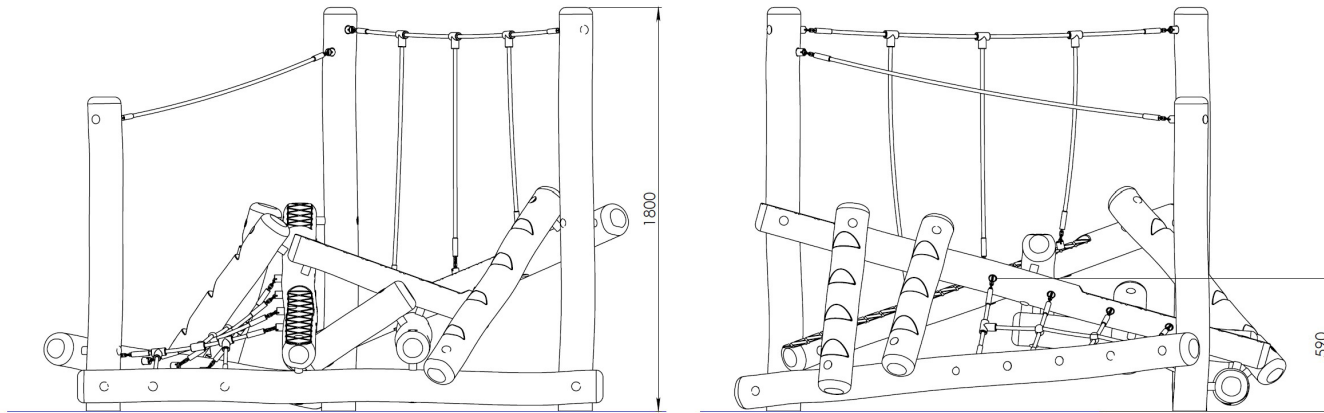
Torosplay Ltd.
Bulgaria
8000, Burgas
55 "Kraina" Street
South Industrial Zone

Activities





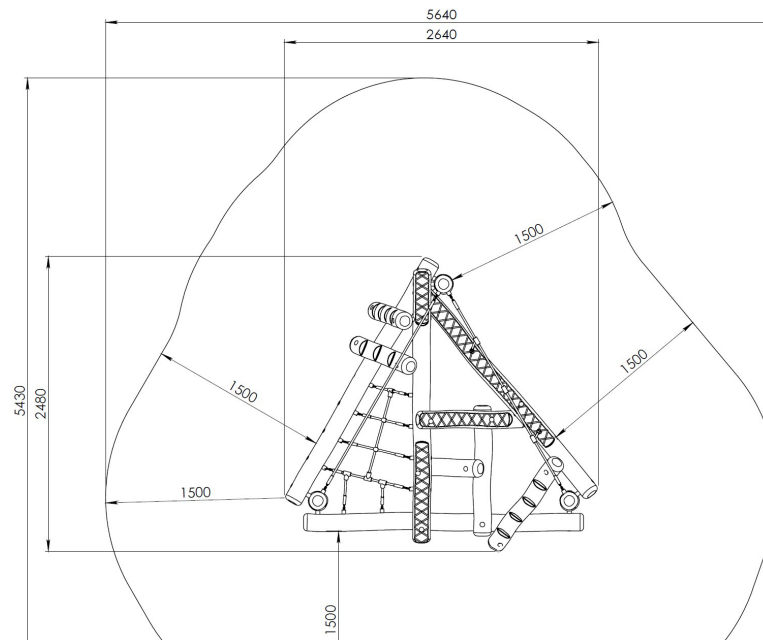
This compact playground structure is built from wooden beams arranged in a triangular, pyramid-like formation, offering an inviting climbing experience. It includes a central climbing net and various angled beams, encouraging children to navigate and balance their way through the structure. Ropes along the edges add extra stability and challenge, promoting coordination and agility. The natural wood finish gives it an earthy, rustic look, ideal for nature-themed play areas.



Cargo details



On a single pallet: 120*120*300 cm / 270 kgs.



Torosplay Ltd.
 Bulgaria
 8000, Burgas
 55 "Kraina" Street
 South Industrial Zone



The hardware is made of stainless steel or galvanized steel to ensure durable connections with a high corrosion resistance. This robust construction guarantees long-lasting performance even in harsh environments.



Design your own:
Wide color pallet to choose colors from
We use only certified EN71 chemical free paints



Robinia poles 14 – 22 cm in diameter, best possible quality, sanded



16 and 18 mm
PP-Multifilament & split film
Or Braided nylon
Steel core – highest quality



Rope color options



Solid T and X connector ensure the Durability of the nets we produce

Torosplay Ltd.
Bulgaria
8000, Burgas
55 "Kraina" Street
South Industrial Zone

TOROSPLAY

Surfaces according to EN 1176-1:2017

Nº	Material	Description	min. layer thickness mm	max. fall height mm
1.	concrete			≤ 600
2.	asphalt			≤ 600
3.	topsoil			≤ 1000
4.	turf			≤ 1500
5.	bark	20 - 80 mm grain size borken bark of conifers	200	≤ 2000
			300	≤ 3000
6.	wood chips	5 - 30 mm grain size mechanically broken wood, without bark and leaf components	200	≤ 2000
			300	≤ 3000
7.	sand		200	≤ 2000
			300	≤ 3000
			300	≤ 3000
8.	gravel		200	≤ 2000
			300	≤ 3000
			300	≤ 3000
9.	other		according to producer	≤ 3000

Installation method Type A: ≈ 1,8 m³ concrete into the ground

