

# Skybridge Stronghold

Rfmt102

**TOROSPLAY**



Serial number	Rfmt102
Product line	Robinia Multiplay
Dimensions	502 * 230 cm
Height	≈ 375 cm
FFH	200 cm
In accordance with norm EN	EN1176:17
Age group	3 +
Key user group	3 – 8 years
Inclusive	No
Number of users	12
Platform height	100 cm / 125 cm

## Warranty

- 10** **10-year guarantee** - Coverage includes structural failure of the robinia components and structures.
- 5** **5-year guarantee** - Structural strength of steel and stainless steel components
- 2** **2-year guarantee** - Structural failure of high density polyethylene and plastic components

Check the warranty card for more information

**Torosplay Ltd.**  
Bulgaria  
8000, Burgas  
55 "Kraina" Street  
South Industrial Zone

## Activities





The Robinia wood can be supplied as untreated raw wood, painted with a brown coloured transparent pigment that maintains the golden wood colour or in a coloured version where selected components are painted in different colours.



Inclined robinia ramp with 5 holding grips attached to each board

### Torosplay Ltd.

Bulgaria  
8000, Burgas  
55 "Kraina" Street  
South Industrial Zone



Inclined climbing net as a means to climb and enter the platforms



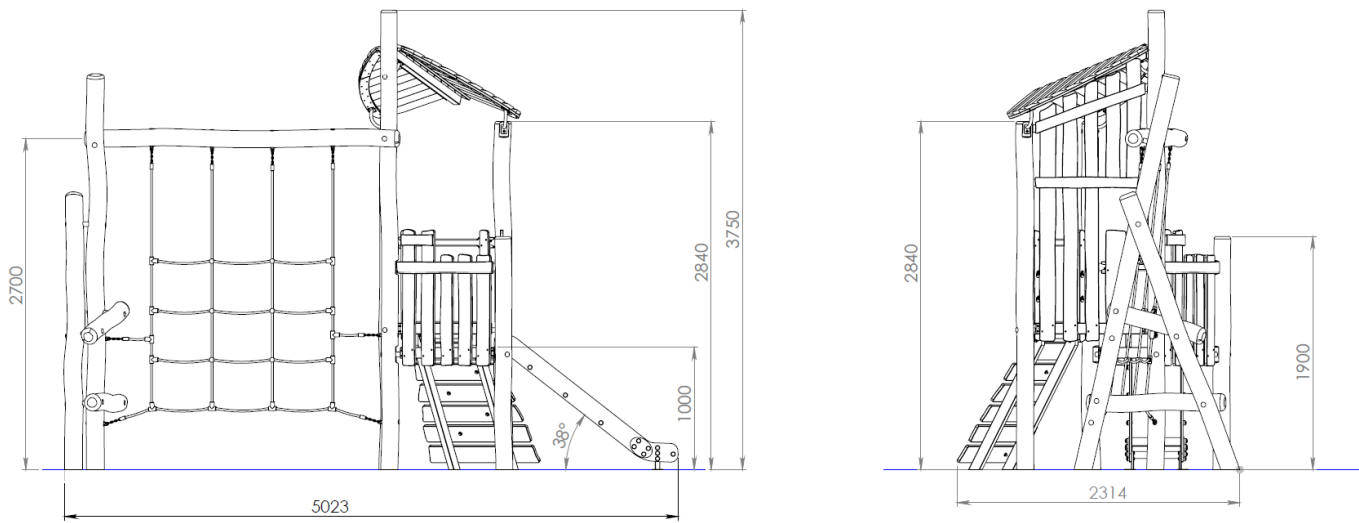
GRP slide with HDPE side panels. Suitable for places with direct sunlight.



Stainless steel slide - The high quality of the materials used and solid welding guarantees high resistance to mechanical damage - 2 mm thick sheet metal, steel pipe fi 33,7 mm, durable linear welding.



Rope handles attached to a specific stainless steel hardware.

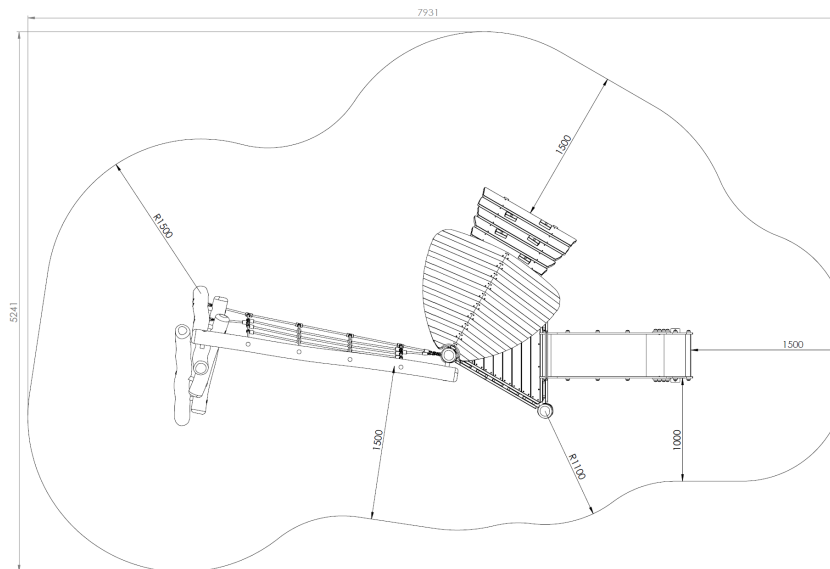


The playground equipment features a wooden structure with various play components. It includes a GRP plastic slide with HDPE side panels, which can be substituted with a stainless steel slide as an optional upgrade. The climbing net serves as an excellent exercise tool, enhancing children's climbing skills and ability to navigate smaller spaces, thereby improving spatial awareness and muscle development. The roof is designed to resemble a leaf, adding a natural aesthetic. Additionally, there is an inclined ramp with climbing holds attached to the higher platform, providing an alternative access point alongside the climbing net.

### Cargo details



On a single pallet: 140\*400\*160 cm / 475 kgs.



**Torosplay Ltd.**  
 Bulgaria  
 8000, Burgas  
 55 "Kraina" Street  
 South Industrial Zone



The hardware is made of stainless steel or galvanized steel to ensure durable connections with a high corrosion resistance. This robust construction guarantees long-lasting performance even in harsh environments.



Design your own:  
Wide color pallet to choose colors from  
We use only certified EN71 chemical free paints



Robinia boards – 9/14 \* 2,5.  
Sanded, chamfered R=5mm,  
Quality – A,B



Robinia poles 14 – 22 cm in diameter, best possible quality, sanded



16 and 18 mm  
PP-Multifilament & split film  
Or Braided nylon  
Steel core – highest quality



Rope color options



Solid T and X connector ensure the Durability of the nets we produce



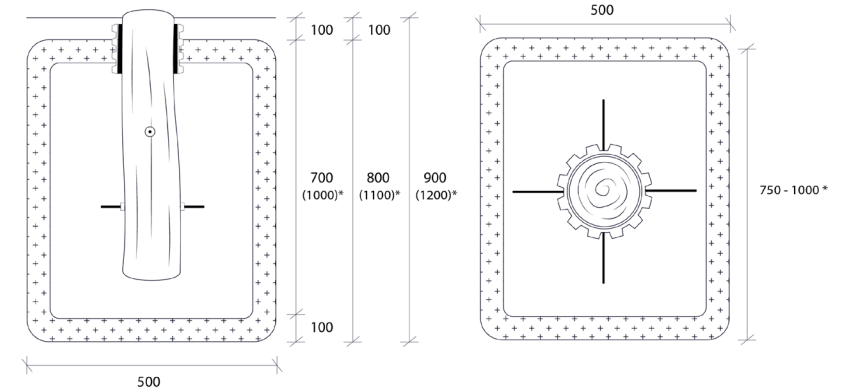
**Torosplay Ltd.**  
Bulgaria  
8000, Burgas  
55 "Kraina" Street  
South Industrial Zone

**TOROSPLAY**

## Surfaces according to EN 1176-1:2017

Nº	Material	Description	min. layer thickness mm	max. fall height mm
1.	concrete			≤ 600
2.	asphalt			≤ 600
3.	topsoil			≤ 1000
4.	turf			≤ 1500
5.	bark	20 - 80 mm grain size borken bark of conifers	200	≤ 2000
			300	≤ 3000
6.	wood chips	5 - 30 mm grain size mechanically broken wood, without bark and leaf components	200	≤ 2000
			300	≤ 3000
7.	sand		200	≤ 2000
			300	≤ 3000
8.	gravel		200	≤ 2000
			300	≤ 3000
9.	other		according to producer	≤ 3000

### Installation method Type A: ≈ 1,3 m<sup>3</sup> concrete into the ground



### Installation method Type B: Anchoring

