

Rfs101

TOROSPLAY



Serial number	Rfs101
Product line	Swings
Dimensions	≈ 387 * 140 cm
Height	≈ 277 cm
FFH	120 cm
In accordance with norm EN	EN1176:17
Age group	3 +
Key user group	3 – 8 years
Inclusive	No
Number of users	2

Warranty

10

10-year guarantee - Coverage includes structural failure of the robinia components and structures.

5

5-year guarantee - Structural strength of steel and stainless steel components

2

2-year guarantee - Structural failure of high density polyethylene and plastic components

Check the warranty card for more information

Torosplay Ltd.
Bulgaria
8000, Burgas
55 "Kraina" Street
South Industrial Zone

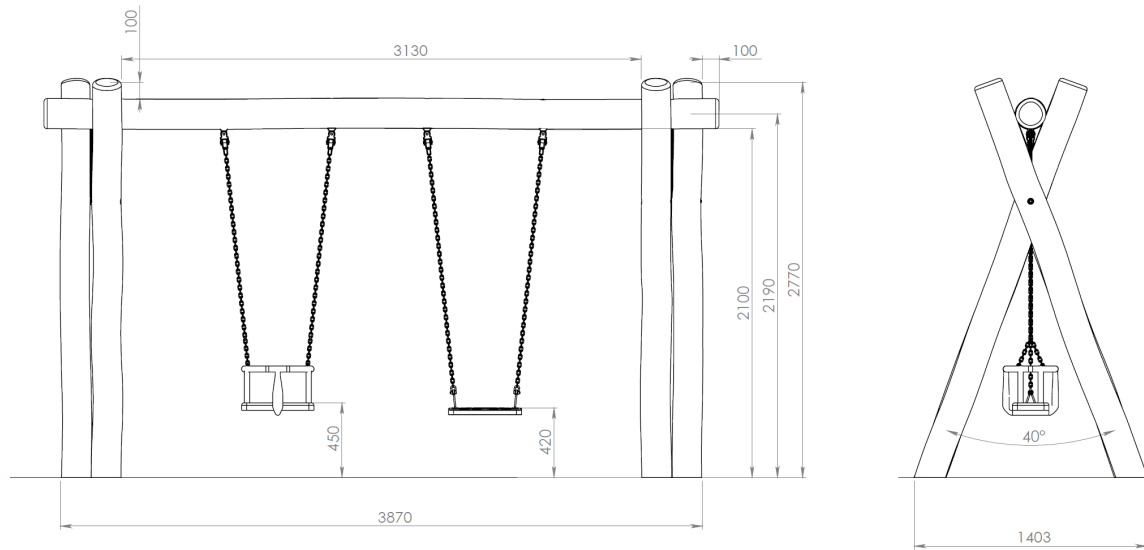
Activities





The rubber swing seat is made using injection-molded thermoplastic elastomer (TPE) and features a reinforced insert made from injection-molded polyamide (PA). The chain includes a D-shackle at the top. Both the seat and the chain can be purchased separately.

The rubber baby seat is made from injection moulded TPE (thermoplastic elastomer) and is delivered in a flat package. The seat is reinforced with a injection moulded PA and aluminium inserts. The seat comes with J-hooks so it can be combined with several chain sets.

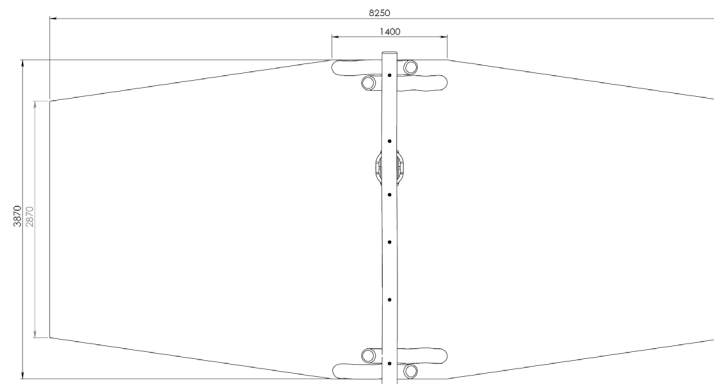


This swing set is made from Robinia wood, known for its strength and weather resistance. The A-frame design, featuring untreated logs, gives it a rustic, sturdy appearance. Two swings hang from metal chains attached to the horizontal beam, each with a simple, flat seat. Its minimalistic design emphasizes functionality and durability.

Cargo details



On a single pallet: - 300*120*60 / 220 kg



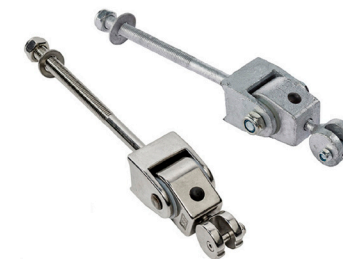
Torosplay Ltd.
 Bulgaria
 8000, Burgas
 55 "Kraina" Street
 South Industrial Zone



The hardware is made of stainless steel or galvanized steel to ensure durable connections with a high corrosion resistance. This robust construction guarantees long-lasting performance even in harsh environments.



Design your own:
Wide color pallet to choose colors from
We use only certified EN71 chemical free paints



Swing hook is suitable for both round and square wood. The length of the threaded bar is M12 x 160 mm.



Robinia poles 14 – 22 cm in diameter, best possible quality, sanded



16 and 18 mm
PP-Multifilament & split film
Or Braided nylon
Steel core – highest quality



Rope color options



Solid T and X connector ensure the Durability of the nets we produce



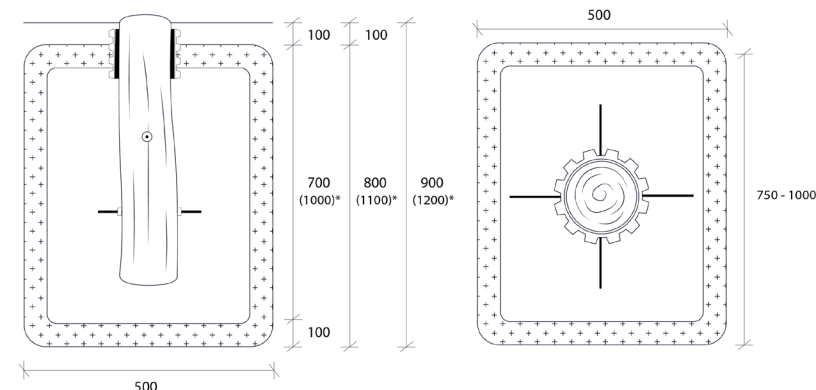
Torosplay Ltd.
Bulgaria
8000, Burgas
55 "Kraina" Street
South Industrial Zone

TOROSPLAY

Surfaces according to EN 1176-1:2017

Nº	Material	Description	min. layer thickness mm	max. fall height mm
1.	concrete			≤ 600
2.	asphalt			≤ 600
3.	topsoil			≤ 1000
4.	turf			≤ 1500
5.	bark	20 - 80 mm grain size borken bark of conifers	200	≤ 2000
			300	≤ 3000
6.	wood chips	5 - 30 mm grain size mechanically broken wood, without bark and leaf components	200	≤ 2000
			300	≤ 3000
7.	sand		200	≤ 2000
			300	≤ 3000
8.	gravel		200	≤ 2000
			300	≤ 3000
9.	other		according to producer	≤ 3000

Installation method Type A: ≈ 1,3 m³ concrete into the ground



Installation method Type B: Anchoring

